

Service Trolleys Rack Trolley for 30 GN 1/1

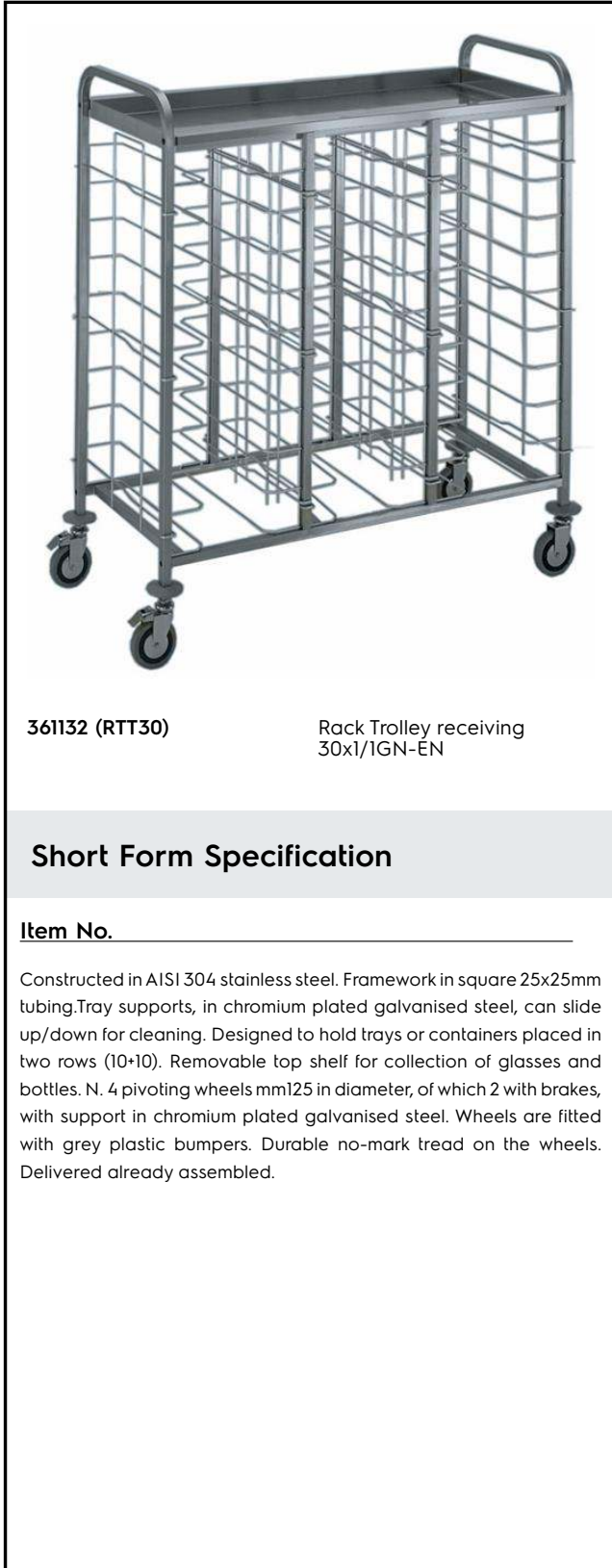
ITEM # _____

MODEL # _____

NAME # _____

SIS # _____

AIA # _____



361132 (RTT30)

Rack Trolley receiving
30x1/1GN-EN

Short Form Specification

Item No. _____

Constructed in AISI 304 stainless steel. Framework in square 25x25mm tubing. Tray supports, in chromium plated galvanised steel, can slide up/down for cleaning. Designed to hold trays or containers placed in two rows (10+10). Removable top shelf for collection of glasses and bottles. N. 4 pivoting wheels mm125 in diameter, of which 2 with brakes, with support in chromium plated galvanised steel. Wheels are fitted with grey plastic bumpers. Durable no-mark tread on the wheels. Delivered already assembled.

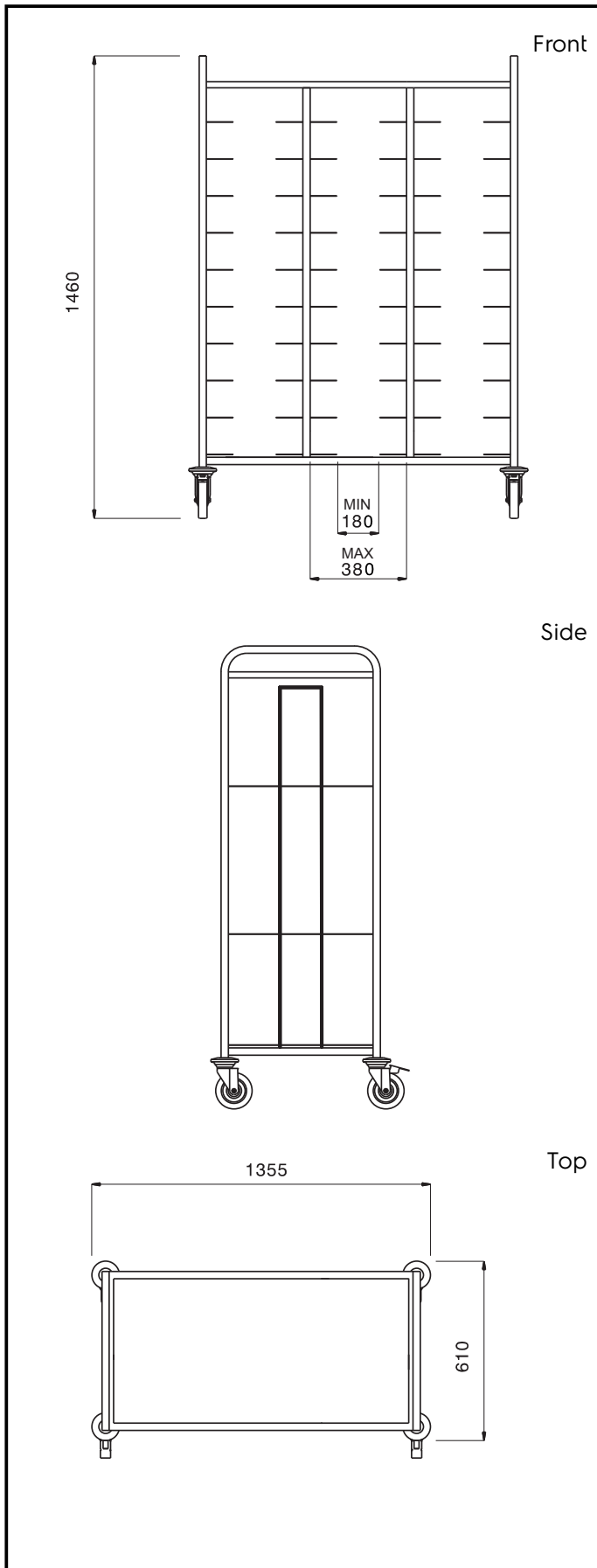
Main Features

- Framework in square 25x25 mm tubing, completely welded.
- Chromium plated galvanised steel tray supports can be slid up/down for cleaning.
- Removable top shelf for collection of glasses and bottles.
- Accomodates 30 GN trays or containers placed in single row.
- 4 pivoting Ø 125 mm wheels, 2 of which with brakes, fitted with plastic bumpers and support in chromium plated galvanised steel.

Construction

- Constructed entirely in 304 AISI stainless steel.

APPROVAL: _____



Key Information:

External dimensions, Width:	1355 mm
361132 (RTT30)	
External dimensions, Depth:	610 mm
External dimensions, Height:	1460 mm
Wheel material:	Zinc plated
Wheel diameter:	Ø 125
Net weight:	47 kg